

Naftoseal[®] Aircraft Sealants

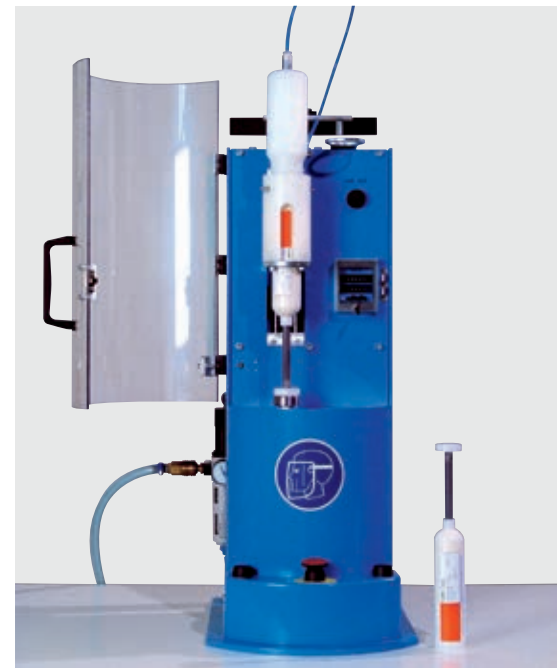
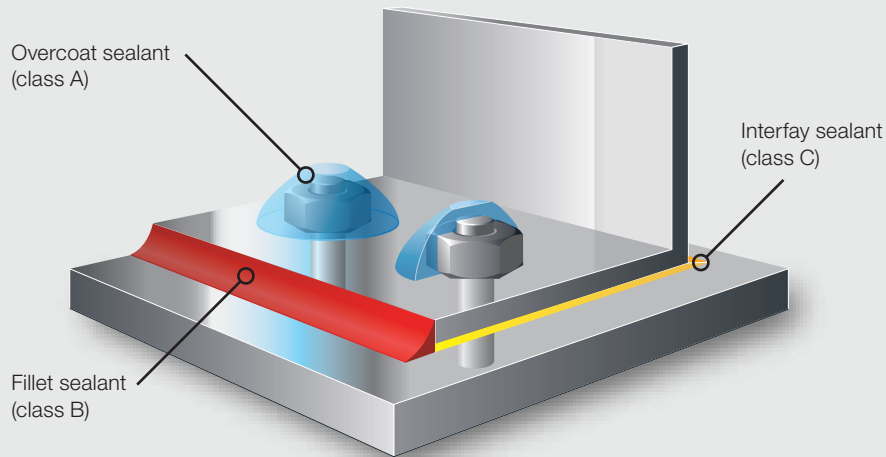
High- and low density sealants
for fuel tank and fuselage



 **BASF**
We create chemistry

Chemetall
expect more⁺

Advantages of Naftoseal® aircraft sealants



MC-injection mixer

Our product portfolio consists of:

- + High- and low density sealants for fuel tank and fuselage
- + Low-adhesion sealants for removal parts
- + Gap fillers for floor panels
- + Adhesion promoters
- + Seal caps
- + Mixing equipment

General technical properties

- + Low-temperature flexibility
- + Good adhesion to various substrates
- + Excellent resistance to aviation fuels, oils and numerous other aerospace chemicals
- + High elasticity, resilience and toughness

Application properties

- + Good thixotropic properties (no slump)
- + Fast tack-free times (higher production rates)
- + Fast cure rates (higher production rates)

Eco-friendly properties

- + Chromate-free
- + Solvent-free and low in solvent content

Packaging

- + Drums
- + Cans (kits)
- + Cartridges (techkits)
- + Other

Product	Description	Specifications (extract)	Application time	Tack-free or assembly time	Cure time to Shore A 30/35
---------	-------------	--------------------------	------------------	----------------------------	----------------------------

Adhesion promoter

One-component adhesion promoter to prepare surfaces prior to the application of polysulphide sealants.

Naftoseal® MC-110	Used mainly for Naftoseal® MC-238, MC-630 or MC-650. Flash point = 36°C.		Dry 10 min	—	—
Naftoseal® MC-115	No Chlorinated Solvents. Used mainly for Naftoseal® MC-340, MC-770 or MC-780. Flash point = 30°C.		Dry 10 min	—	—

Low-adhesion sealants

Two-component, manganese dioxide cured polysulphide access door sealant for faying surfaces wherever easy separation of joined surfaces is required.

Naftoseal® MC-216M Class A	Application by brush, spatula or dispensing gun.	AIMS 04-05-006	A-2 2 hrs	≤ 15 hrs	≤ 15 hrs
Naftoseal® MC-216M Class B	Application by spatula or dispensing gun.	AIMS 04-05-006	B-2 2 hrs	≤ 15 hrs	≤ 15 hrs

Fuel tank and fuselage sealants

Two-component, manganese dioxide cured, liquid polysulphide polymer system providing excellent fuel tank and fuselage seals.

Naftoseal® MC-238 Class A	Application by brush, spatula or dispensing gun.	AIMS 04-05-001 & 04-05-002, NTA 65361, MDL 6057	A-1/2 30 min	≤ 10 hrs	≤ 30 hrs
			A-2 2 hrs	≤ 14 hrs	≤ 48 hrs
			A-4 4 hrs	≤ 14 hrs	≤ 48 hrs
Naftoseal® MC-238 Class B	Application by spatula or dispensing gun.	AIMS 04-05-001 & 04-05-002, NTA 65361, MDL 6057	B-1/4 15 min	≤ 2 hrs	≤ 4 hrs
			B-1/2 30 min	≤ 10 hrs	≤ 30 hrs
			B-2 2 hrs	≤ 14 hrs	≤ 48 hrs
			B-4 4 hrs	≤ 14 hrs	≤ 48 hrs
Naftoseal® MC-460 Class A	Low density, fast-cure and flame retardant gap filler for floor panels. Application by dispensing gun.	AIMS 04-31-002	A-1/4 15 min	≤ 3 hrs	≤ 4 hrs
Naftoseal® MC-460 Class B	Low density, fast-cure and flame retardant gap filler for floor panels. Application by dispensing gun.	AIMS 04-31-002	B-1/4 15 min	≤ 3 hrs	≤ 4 hrs
Naftoseal® MC-630 Class A	Fuselage sealant. Application by brush, spatula, or dispensing gun.	AIMS 04-05-001, DAN 1159	A-2 2 hrs	≤ 16 hrs	≤ 48 hrs
Naftoseal® MC-630 Class C	Fuselage sealant. Application by dispensing gun or roller coating technology. Unique “self-filleting” characteristics.	AIMS 04-05-001, DAN 1184	C-2 2 hrs	≤ 3 hrs	≤ 12 hrs
Naftoseal® MC-650 Class B	Fuselage sealant. Application by spatula or dispensing gun.	AIMS 04-05-001, DAN 1186	B-1 1 hr	≤ 7 hrs	≤ 10 hrs
Naftoseal® MC-770 Class B	Low-density fuselage sealant. Application by spatula or dispensing gun.	AIMS 04-05-001	B-2 grey 2 hrs	≤ 20 hrs	≤ 48 hrs
Naftoseal® MC-780 Class A	Low-density sealant. Application by brush, spatula or dispensing gun.	AIMS 04-05-001 & -012, -014 & -015, NTA 65361, MDL 6058, CMS-SL 101 & 104, ECS 0045	A-1/2 30 min	≤ 4 hrs	≤ 8 hrs
			A-1 1 hr	≤ 7 hrs	≤ 10 hrs
			A-2 2 hrs	≤ 14 hrs	≤ 24 hrs
Naftoseal® MC-780 Class B	Low-density sealant. Application by spatula or dispensing gun.	AMS 3281, AIMS 04-05-001 & -012, -014 & -015, NTA 65361, MDL 6058, BAMS 552-008 & -009, CMS-SL 101 & 104, MEP 09-084, ECS 0045	B-1/4 15 min	≤ 3 hrs	≤ 4 hrs
			B-1/2 30 min	≤ 4 hrs	≤ 8 hrs
			B-1 1 hr	≤ 7 hrs	≤ 10 hrs
			B-2 2 hrs	≤ 10 hrs	≤ 10 hrs
			B-4 4 hrs	≤ 20 hrs	≤ 48 hrs
Naftoseal® MC-780 Class C	Reduced-density sealant. Application by dispensing gun or roller coating technology. Unique “self-filleting” characteristic.	AMS 3281, AIMS 04-05-001 & -012, -014 & -015, BAMS 552-008 & -009, NTA 65361, MDL 6058, CMS-SL 101 & 104, MEP 09-084	C-1/3 20 min	≤ 30 min	≤ 3 hrs
			C-2 2 hrs	≤ 3 hrs	≤ 12 hrs
			C-4 4 hrs	≤ 6 hrs	≤ 30 hrs
			C-8 8 hrs	≤ 12 hrs	≤ 7 days
			C-12 12 hrs	≤ 20 hrs	≤ 14 days
			C-24 24 hrs	≤ 80 hrs	≤ 20 days
			C-36 36 hrs	≤ 120 hrs	≤ 30 days
			C-48 48 hrs	≤ 168 hrs	≤ 56 days
Naftoseal® MC-787 B-1/2	Low-density sealant. Application by spatula or dispensing gun.	BMS5-184	B-1/2 30 min	≤ 4 hrs	≤ 8 hrs

Full list of approvals available on request. Some products may not be available in every region.

Add Chemetall to your flight plan

OEM's and MRO's – increase your productivity with our integrated portfolio of innovative technologies.



Chemetall offers a fully integrated, innovative and optimized portfolio of products and technologies for OEM's and MRO's. These solutions arise from our comprehensive understanding of the materials and requirements for specific Aerospace applications.

In addition to our globally active and locally based technical support, you can rely on our vast experience with commercial and military aviation. Collaborate with us to increase your process efficiency.

Our products and solutions provide:

- ⊕ Comprehensive material compatibility confirmed by third party validation
- ⊕ Major approvals and conformances
- ⊕ Environmentally responsible solutions

Chemetall is proud to serve you from the following locations

Headquarters and Regional Head Office Europe, Middle East, Africa, South America

Chemetall GmbH
Trakehner Straße 3
60487 Frankfurt am Main, Germany
Phone: +49 (0) 69 7165-0

Regional Head Office North America

Chemetall US, Inc.
675 Central Avenue
New Providence, NJ 07974, USA
Phone: +1 908 464 6900

Regional Head Office Asia-Pacific

Chemetall Asia Pte Ltd.
12 Loyang Crescent
Singapore 508980
Phone: +65 6885 7900

BASF
We create chemistry

Chemetall
expect more

www.chemetall.com | chemetall.aerospace@basf.com

The product information contained in this brochure has been compiled to the best of our knowledge on the basis of thorough tests and research work and with regard to the current state of our practical experience in the industry. This product information is non-binding. Our statements relating to possible uses of the product do not constitute a guarantee that such uses are appropriate in a particular user's case or that such uses do not infringe the patents or proprietary rights of any third party. The user should undertake sufficient verification and testing to determine the suitability of the product for its particular purpose. We assume no risk or liability whatever in connection with any particular use, if not expressly confirmed by us in writing. Therefore, Chemetall grants no warranty and does not accept any liability in connection with this product information or its use. Except where noted otherwise, all registered trademarks are owned by Chemetall or its affiliated companies. The reproduction of any or all of the information contained in this brochure is expressly forbidden without Chemetall's prior written consent.